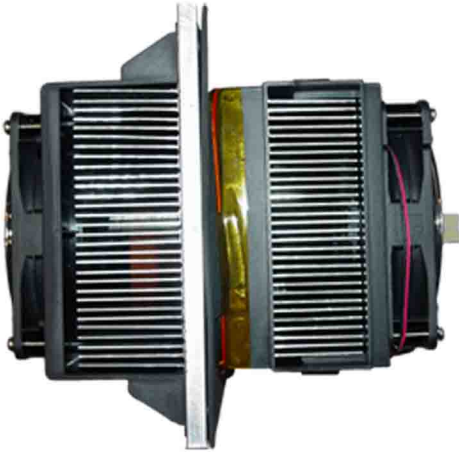


INB340-24-AA THERMOELECTRIC COOLING ASSEMBLY

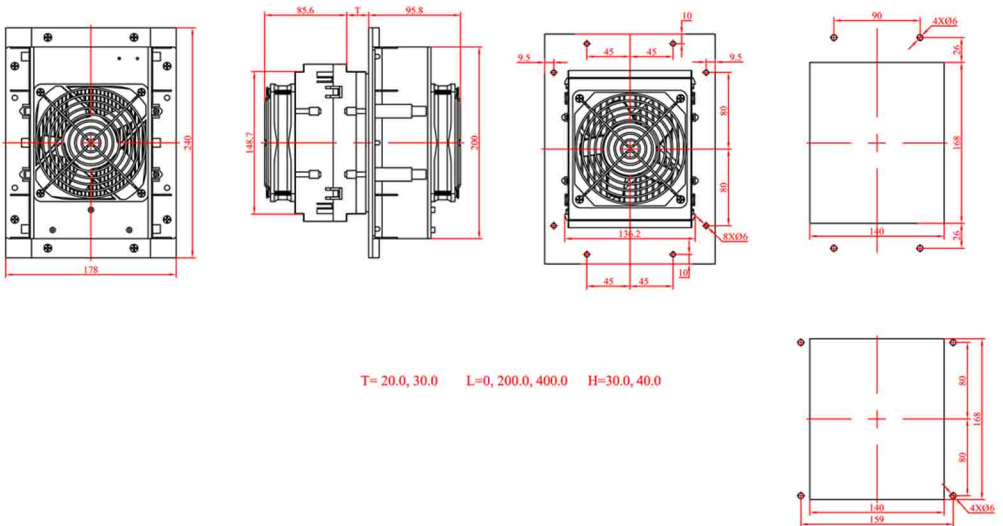
All INB-series assemblies are environmentally friendly and free from CFC gases.



SPECIFICATIONS

Cooling Capacity	340 BTU / 104 W
Input Voltage	24 VDC
Current	5.5 A
Operational Temp	-10 °C / +65 °C
Weight	7.26 Lbs / 3,3 kg
Fan	IP55 Rating
Thru Mount	

DIMENSIONAL DRAWINGS



PERFORMANCE CURVE

