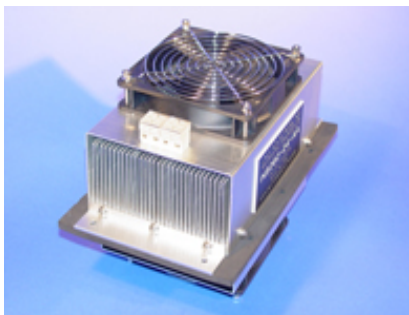
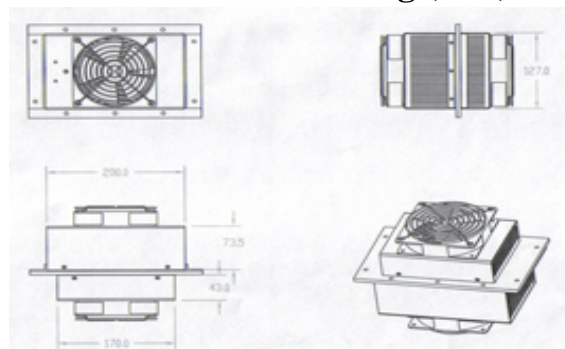


# Thermoelectric Cooling Assembly INB 260-24-AA

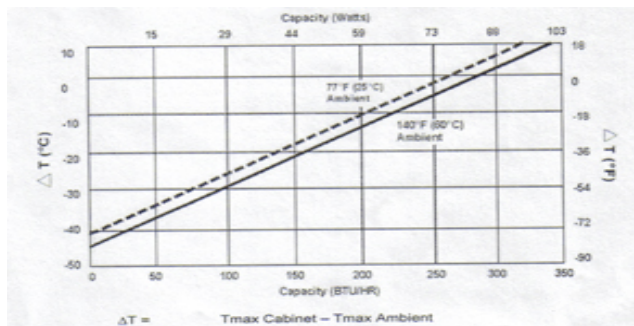


Specification	
Cooling Capacity	78 W / 260 BTU
Input Voltage	24 VDC
Current	5.0 A
Weight	4.2 Kg/9 Lbs
Max Ambient Temp.	60°C / 140 F
Reliability Data	
MTBF of TE Modules	100,000 Hrs
MTBF of Cooling Fans	50,000 Hrs

## Dimensional Drawing (mm)



## Performance Curve



[www.inbthermoelectric.com](http://www.inbthermoelectric.com)

8376 Samra Drive, West Hills, CA 91304, USA.

Phone - (818)-288-4390, Fax - (818)-704-8829