

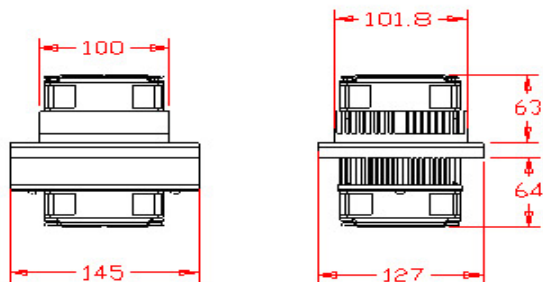
Thermoelectric Cooling Assembly INB 140-12-AA



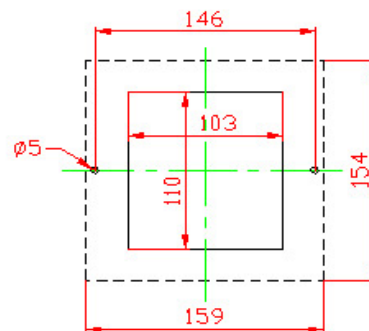
Specification	
Cooling Capacity	40 W / 140 BTU / H
Input Power	12 VDC
Current	6.0 A
Weight	1 Kg/2.2 Lbs
Max Operating Temp.	60°C / 140 F
Reliability Data	
MTBF of TE Modules	100,000 Hrs
MTBF of Cooling Fans	50,000 Hrs

Position	Description
1	TEC +
2	TEC -

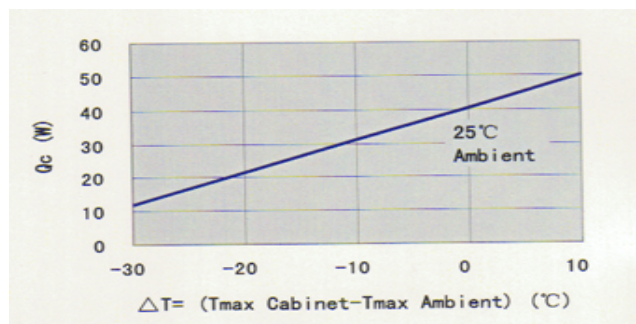
Dimensional Drawing (mm)



Suggested Cutout



Performance Curve



www.inbthermoelectric.com

8376 Samra Drive, West Hills, CA 91304, USA.

Phone - (818)-288-4390, Fax - (818)-704-8829